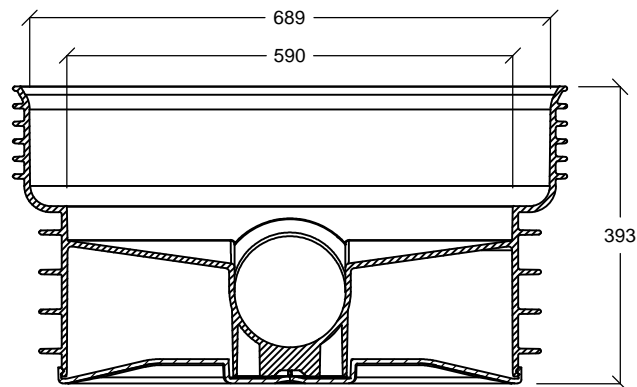
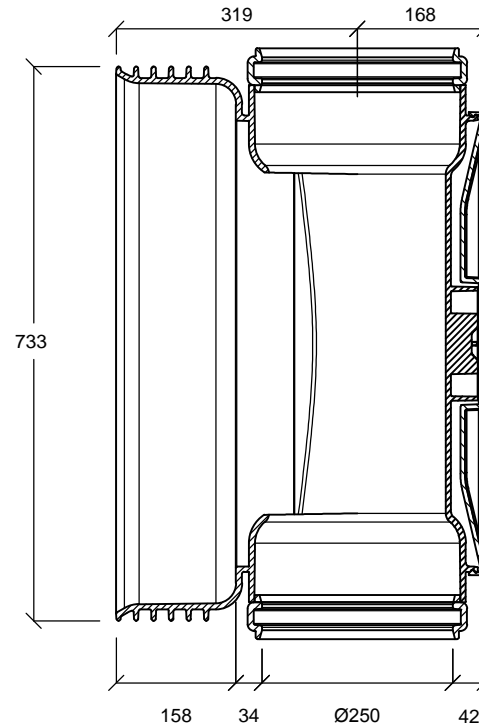
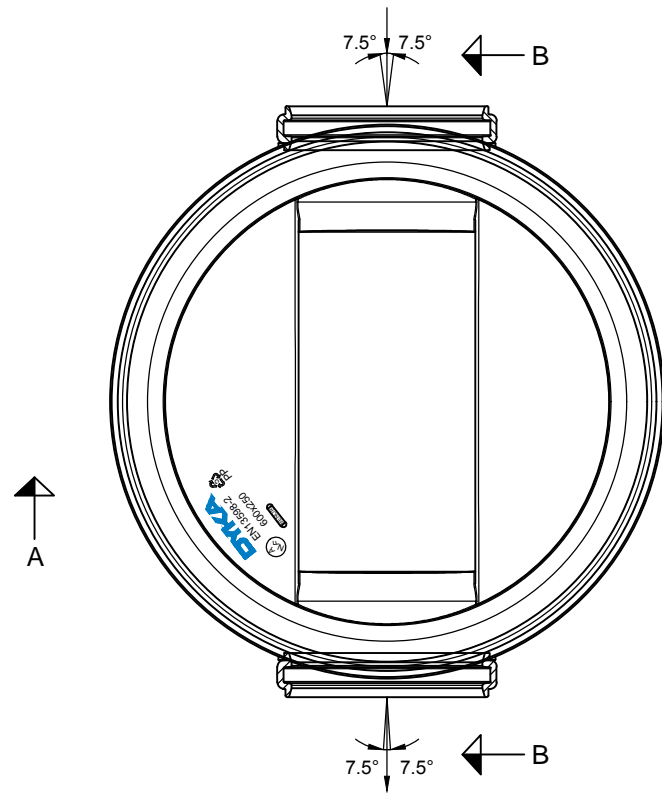


Section B-B

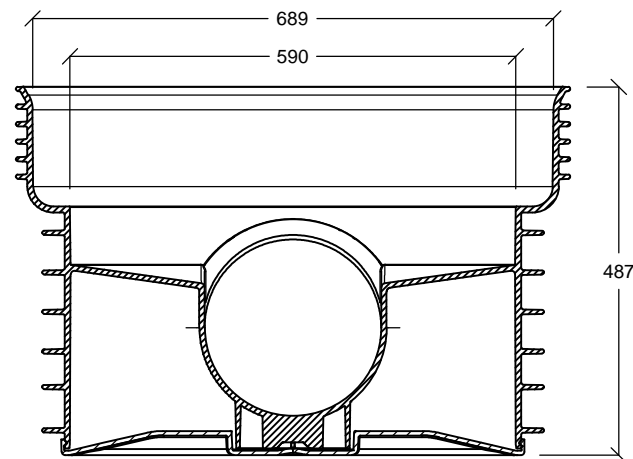


Section A-A


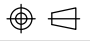
Change Description		code	Date
Project: Axedo PP Manhole 600mm		Drawingnumber:	
Type: 180° Straight 2xØ160		<b>501</b>	
Article: 20034220		Scale: 1:10	Mat.: PP
Reference:		Size: A4	
DYKA BV Steenwijk The Netherlands info@dyka.nl www.dyka.com		By: DYKA	Date: 22-9-17
		Drawingfile: Axedo600.dwg	
This document contains confidential and proprietary information of DYKA. No reproduction or disclosure of any part hereof to third parties or use hereof is allowed at any time without authorization in writing by DYKA			

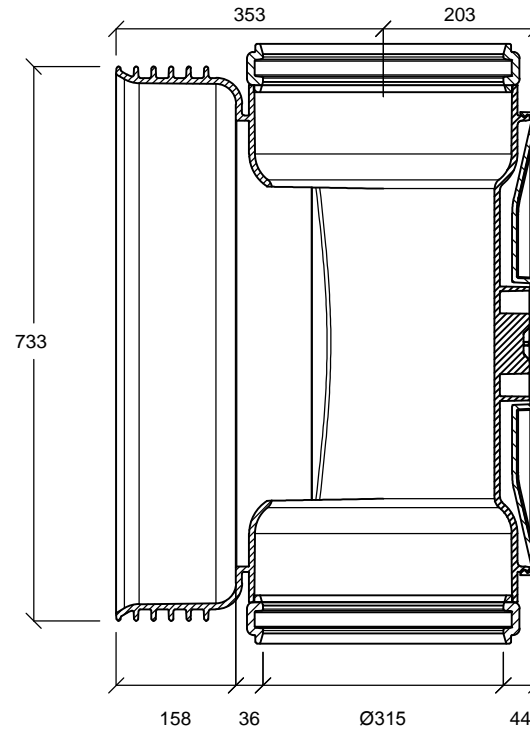
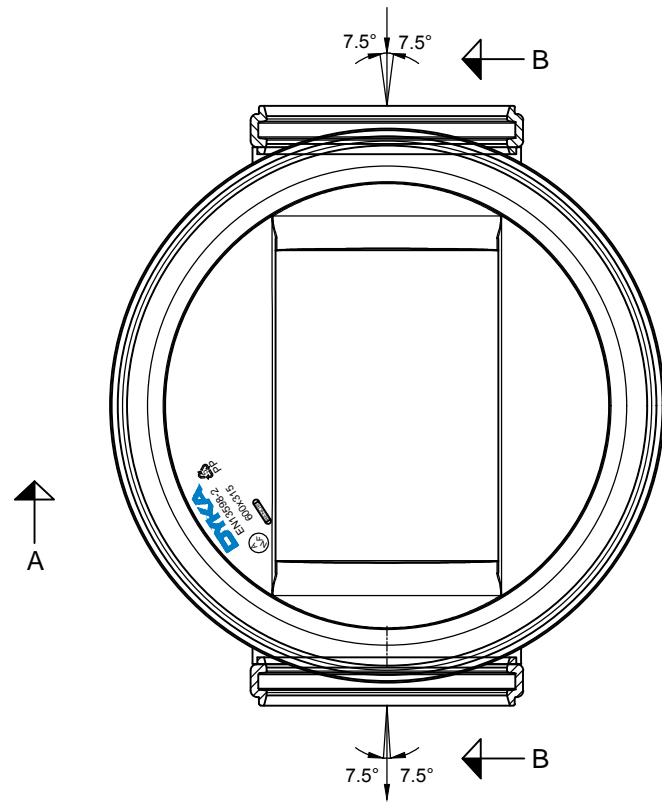


Section B-B

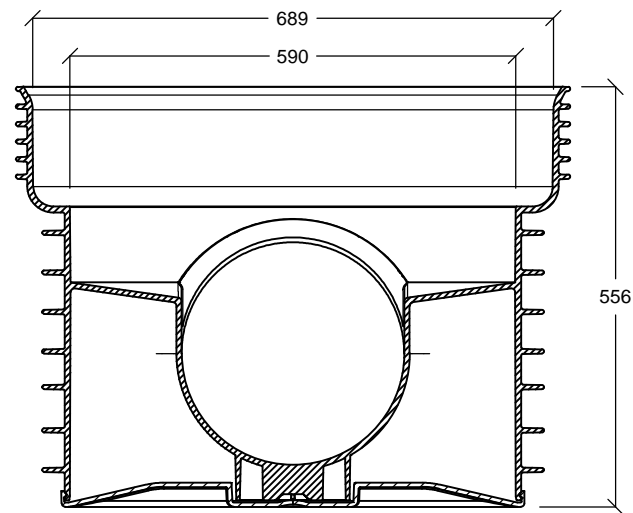


Section A-A

Change Description		code	Date
Project: Axedo PP Manhole 600mm		Drawingnumber:	
Type: 180° Straight 2xØ250		<b>503</b>	
Article: 20034232		Scale: 1:10	Mat.: PP
Reference:	 DYKA BV Steenwijk The Netherlands info@dyka.nl www.dyka.com	Size: A4	
		By: DYKA	Date: 22-9-17
		Drawingfile: Axedo600.dwg	
This document contains confidential and proprietary information of DYKA. No reproduction or disclosure of any part hereof to third parties or use hereof is allowed at any time without authorization in writing by DYKA			

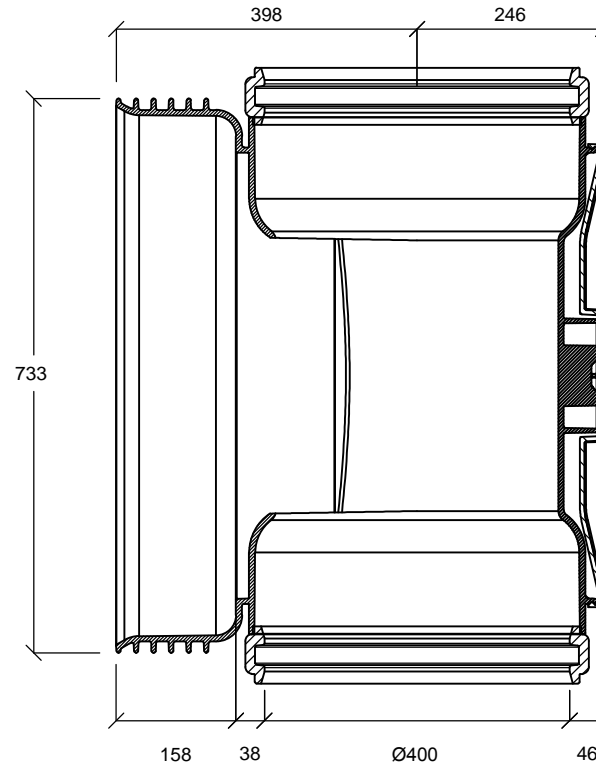
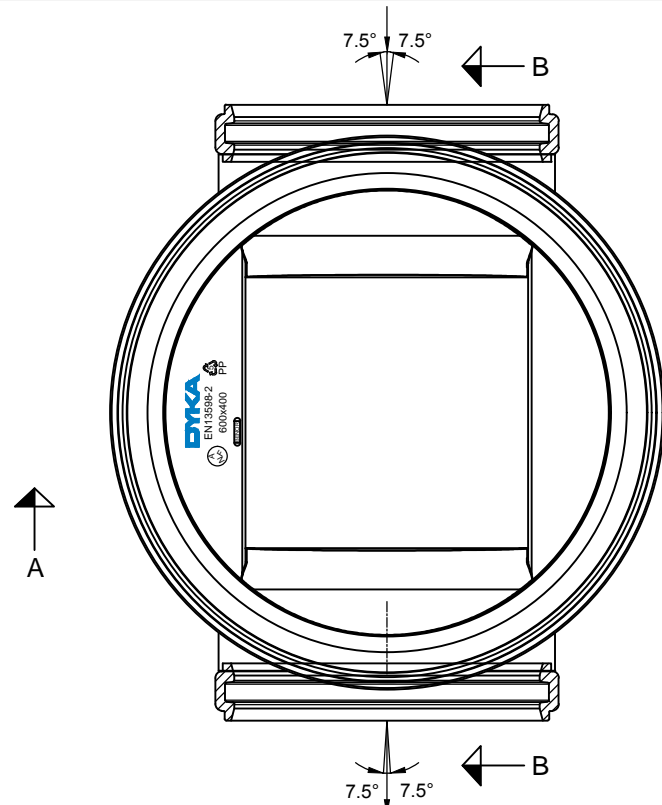


Section B-B

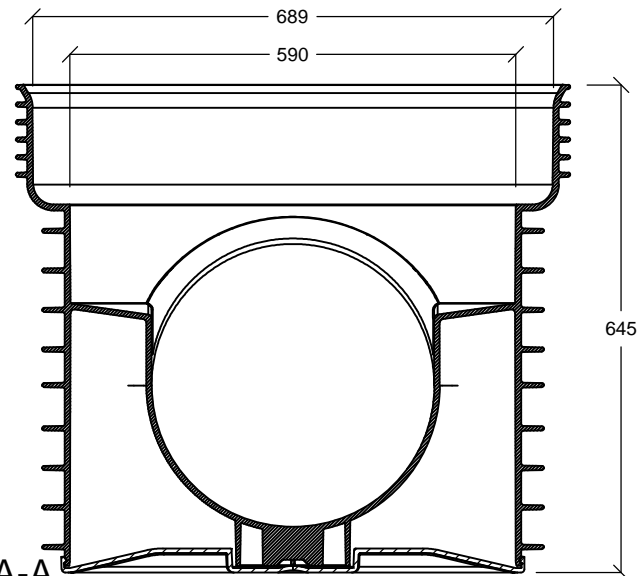


Section A-A



Change Description		code	Date
Project: Axedo PP Manhole 600mm		Drawingnumber:	
Type: 180° Straight 2xØ315		<b>504</b>	
Article: 20034238		Scale: 1:10	Mat.: PP
Reference:		Size: A4	
DYKA BV Steenwijk The Netherlands info@dyka.nl www.dyka.com		By: DYKA	Date: 22-9-17
		Drawingfile: Axedo600.dwg	
This document contains confidential and proprietary information of DYKA. No reproduction or disclosure of any part hereof to third parties or use hereof is allowed at any time without authorization in writing by DYKA			



Section B-B



Section A-A

Change Description		code	Date
Project: Axedo PP Manhole 600mm		Drawingnumber:	
Type: 180° Straight 2xØ400		<b>505</b>	
Article: 20034241		Scale: 1:10	Mat.: PP
Reference:	 DYKA BV Steenwijk The Netherlands info@dyka.nl www.dyka.com	Size: A4	
		By: DYKA	Date: 22-9-17
		Drawingfile: Axedo600.dwg	
This document contains confidential and proprietary information of DYKA. No reproduction or disclosure of any part hereof to third parties or use hereof is allowed at any time without authorization in writing by DYKA			